

TECNICAL DATA

DIMENSIONS

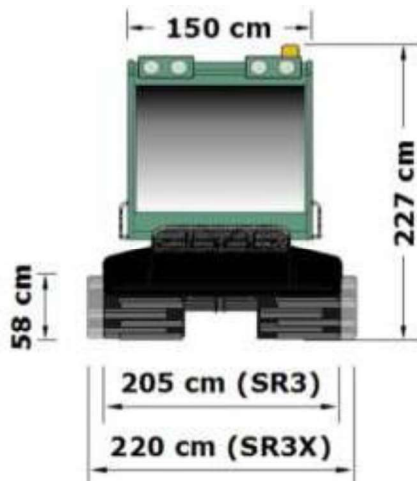
LENGTH WITH BLADE	3'950 mm
LENGTH WITH ATTACHMENTS	5'600 mm
WIDTH:	
SNOW RABBIT 3	2'030 mm
SNOW RABBIT 3X	2'200 mm
HEIGHT	2'300 mm
LOADING PLAN CAPACITY	750 kg
WEIGHT WITH BLADE	
SNOW RABBIT 3	2'000 kg
SNOW RABBIT 3X	2'200 kg
WEIGHT WITH BLADE AND TILLER	
SNOW RABBIT 3	2'200 kg
SNOW RABBIT 3X	2'400 kg
TOTAL WEIGHT	
SNOW RABBIT 3	3'150 kg
SNOW RABBIT 3X	3'350 kg

WHEELS

- 8 SOLID PLASTIC PLAIN WHEELS
- 2 SOLID PLASTIC TOOTHED WHEELS

TRACKS

- ALUMINIUM PROFILES WITH STEEL ICE SPIKES;
- RUBBER BELTS
- TRACK WIDTH
- SNOW RABBIT 3 700 mm
- SNOW RABBIT 3X 785 mm
- GROUND CONTACT AREA 2'750 mm
- MIDDLE RUT
- SNOW RABBIT 3 130 mm
- SNOW RABBIT 3X 142 mm



ENGINE

KOHLER	
TYPE	KDI3404T-SCR
EMISSIONS EU STAGE IIIB - STAGE IV	
TIER 4 INTERIM - TIER 4 FINAL	
POWER	100Kw / 134hp @ 2600 rpm
MAX TORQUE	500 Nm @ 1400 rpm
DISPLACEMENT	3'359 cc
CUNSUMPTION	13 L/h
VM	
TYPE	R 754 IE4
EMISSIONS	EU STAGE IV
POWER	80kW / 109hp @ 2600 rpm
MAX TORQUE	420 Nm @ 1100 rpm
DISPLACEMENT	3'000 cc
CONSUMPTION	11 L/h

KUBOTA

TYPE	V3800-CR-TE4
EMISSIONS	EU STAGE IIIB
POWER	100hp @ 2600 rpm
MAX TORQUE	330 Nm @ 1300 rpm
DISPLACEMENT	3'770 cc
CONSUMPTION	11 L/h
TANK CAPACITY	1. 92.0

DRIVING CHARACTERISTICS

SPEED	Max 25 km/h
TURNING RATIO	0°
MAXIMUM NOISE LEVEL	< 80 db(A)
SPEC. GROUND PRESSURE	45 g/cm ²

ELECTRICS

OPERATING VOLTAGE	12 V
BATTERIES	110 AMP/H
ALTERNATOR	720 WATT

CABIN

- 2 SEAT TILTABLE CABIN
- ROSP CERTIFICATION
- SAFETY BELTS, RADIO/CD/USB PLAYER WITH STEREO SPEAKERS; HEATING SYSTEM

ACCESSORIES

FRONTAL BLADE

WIDTH	
8-WAY STANDARD BLADE	2'000 mm
12-WAY "LARGE" BLADE	2'400 mm

HYDRAULIC TILLER

WORKING WIDTH	
STANDARD TILLER	1'850 mm
"LARGE" TILLER	2'300 mm
WIDTH WITH FLAPS	
STANDARD TILLER	2'300 mm
"LARGE" TILLER	2'800 mm
ROTATION SPEED	2'000 rpm
POLYURETHANE FINISHER	
QUICK CONNECT SYSTEM	

CROSS-COUNTRY SKI TRACK SETTERS

- 1 OR 2 INDEPENDENT TRACK SETTERS
- QUICK CONNECT SYSTEM

OPTIONS

- PASSENGER CABIN
- SUMMER TRACKS

